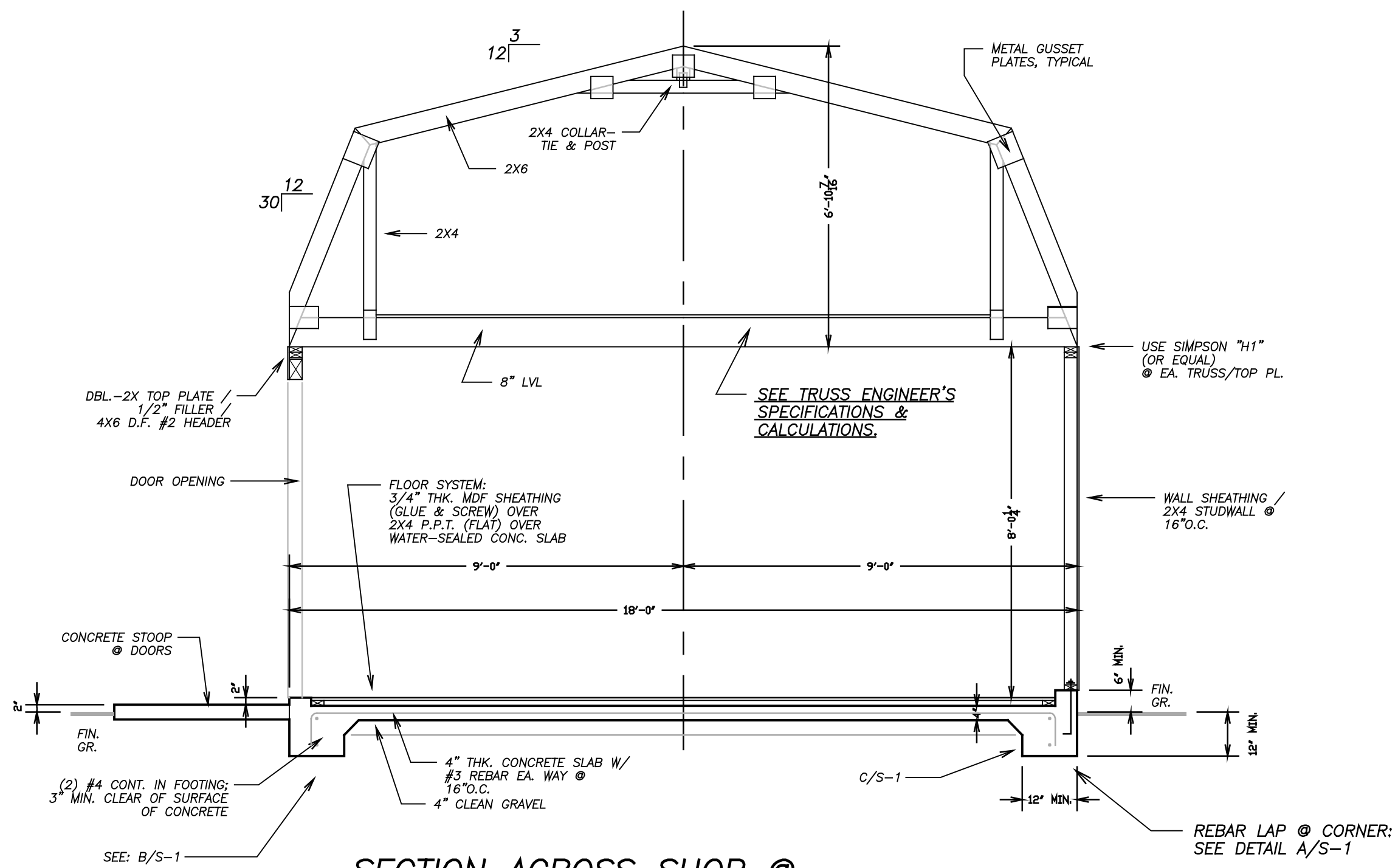


SECTION ACROSS SHOP @  
 TURSS W/ VOLUME CEILING  
 ② SCALE: 3/8" = 1'-0"



SECTION ACROSS SHOP @  
 TURSS W/ STORAGE LOFT  
 ① SCALE: 3/8" = 1'-0"