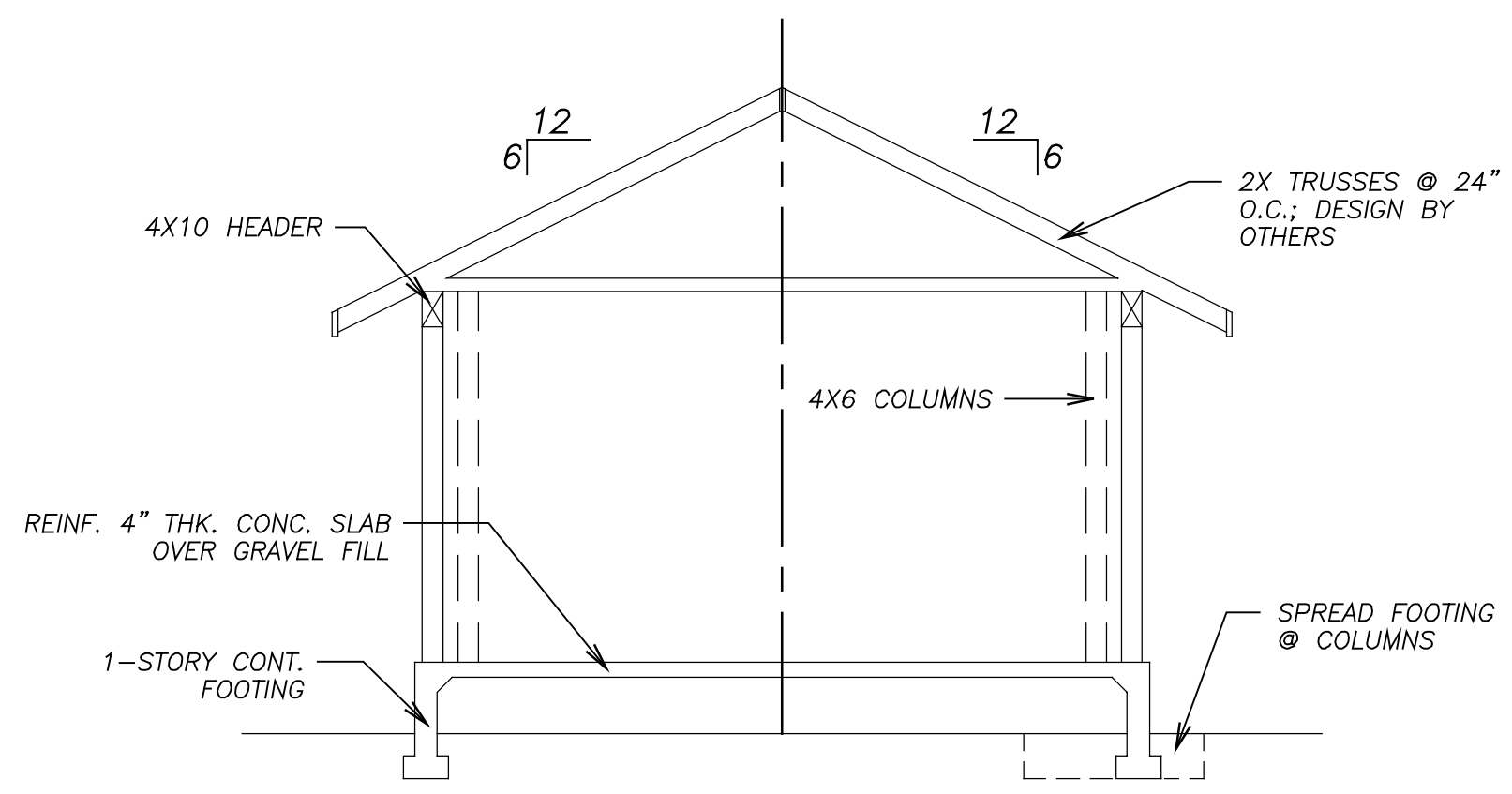
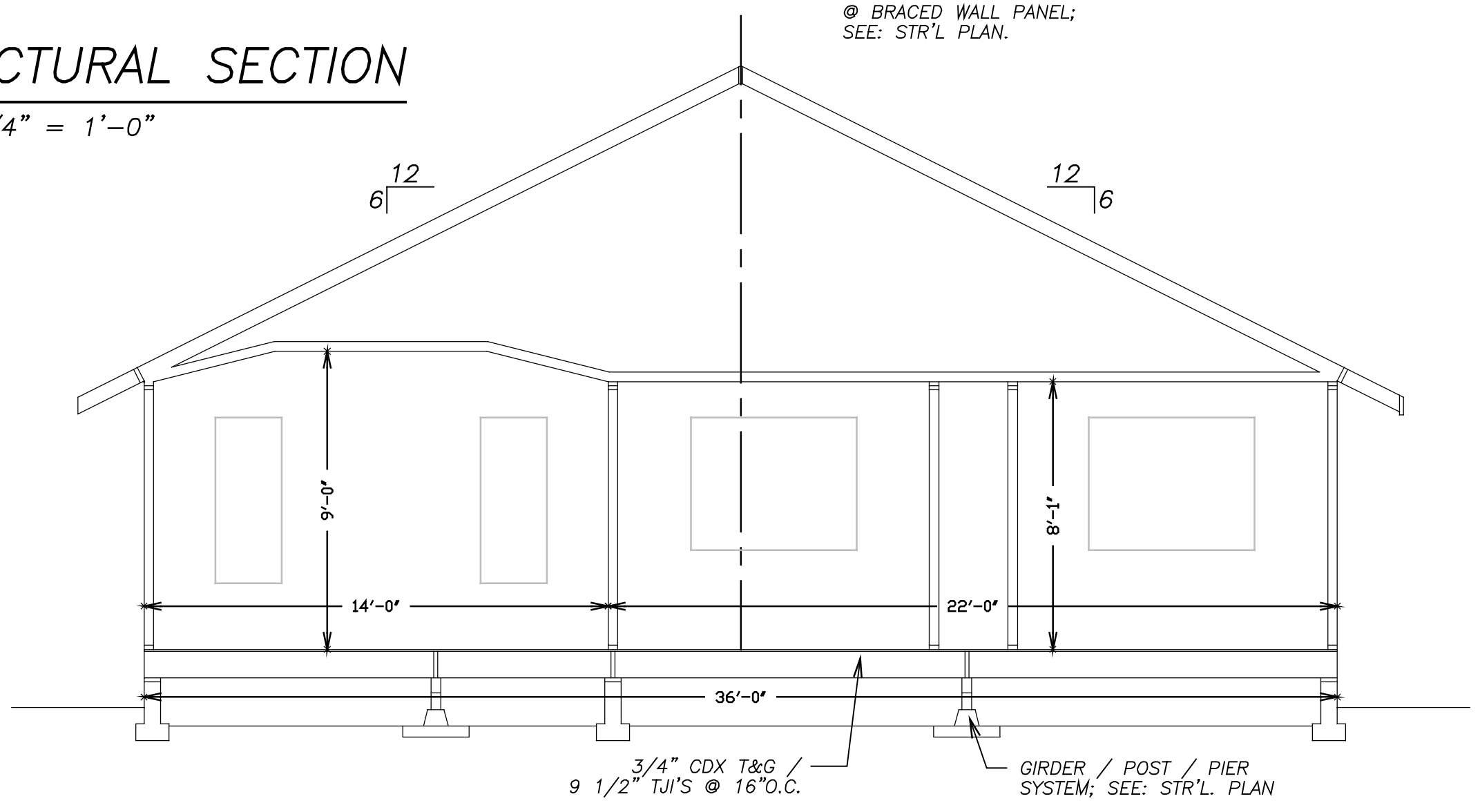


2 STRUCTURAL SECTION
SCALE: 1/4" = 1'-0"



3 STRUCTURAL SECTION
SCALE: 1/4" = 1'-0"



1 STRUCTURAL SECTION
SCALE: 1/4" = 1'-0"