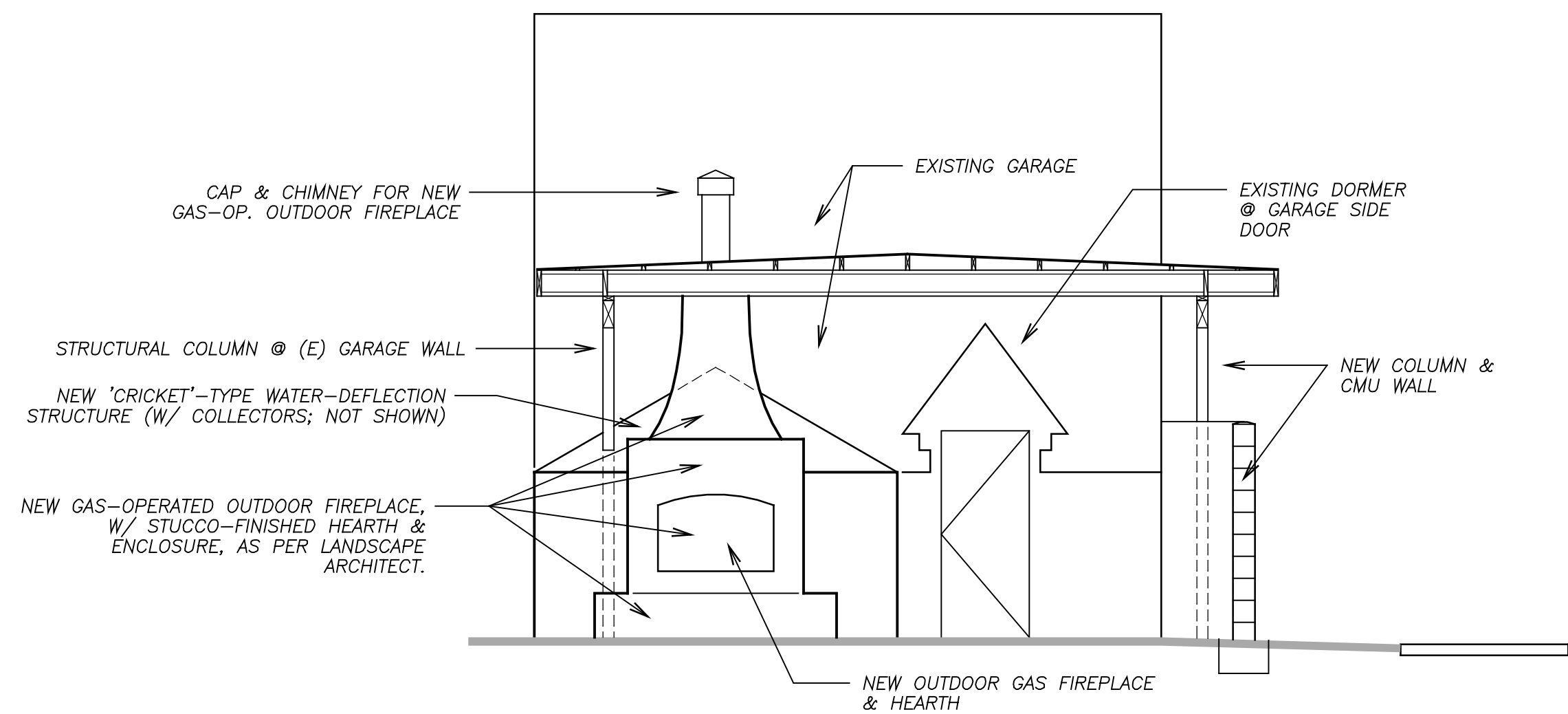


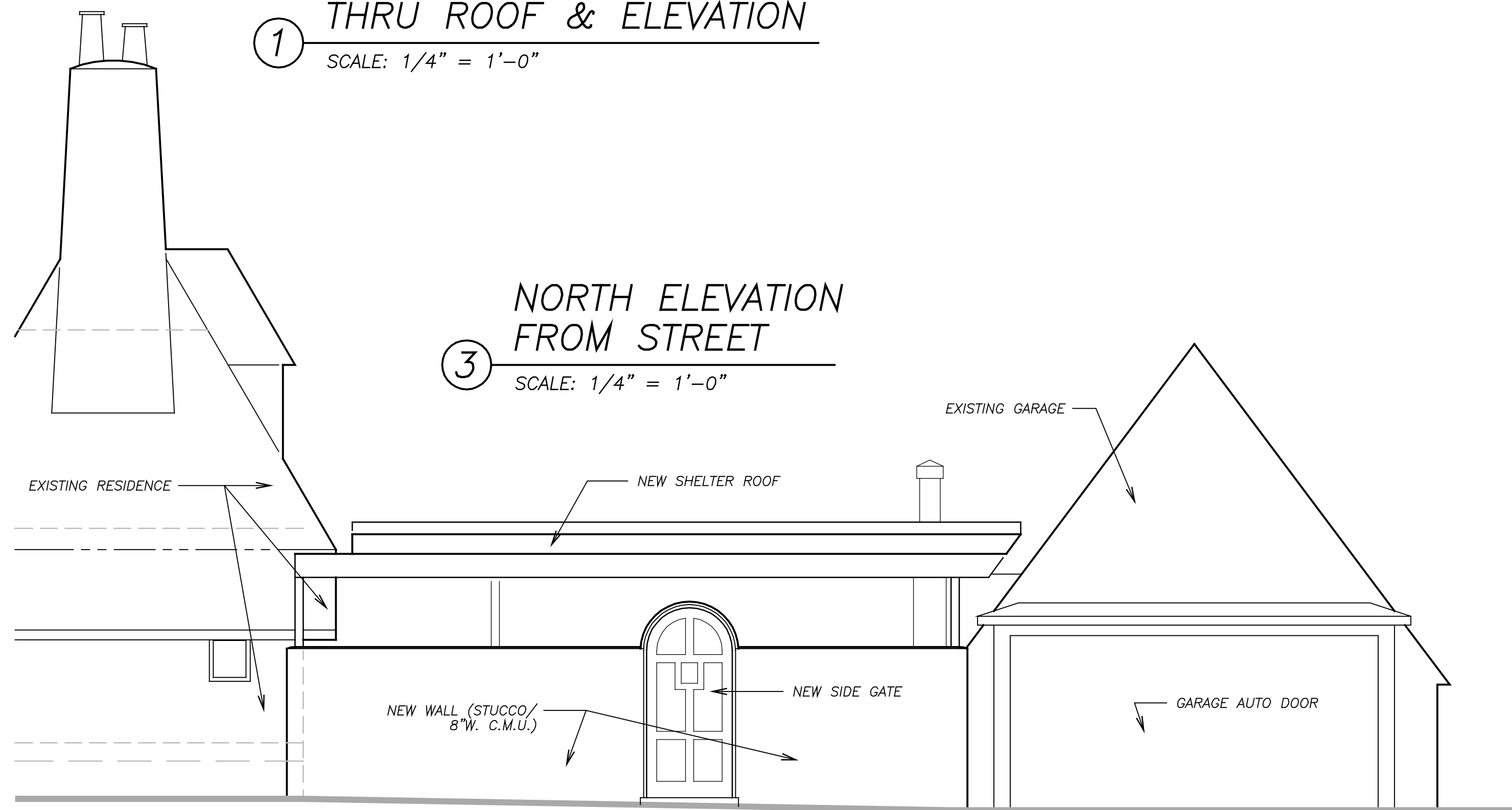
**1** NORTH-SOUTH SECTION THRU ROOF & ELEVATION

SCALE: 1/4" = 1'-0"



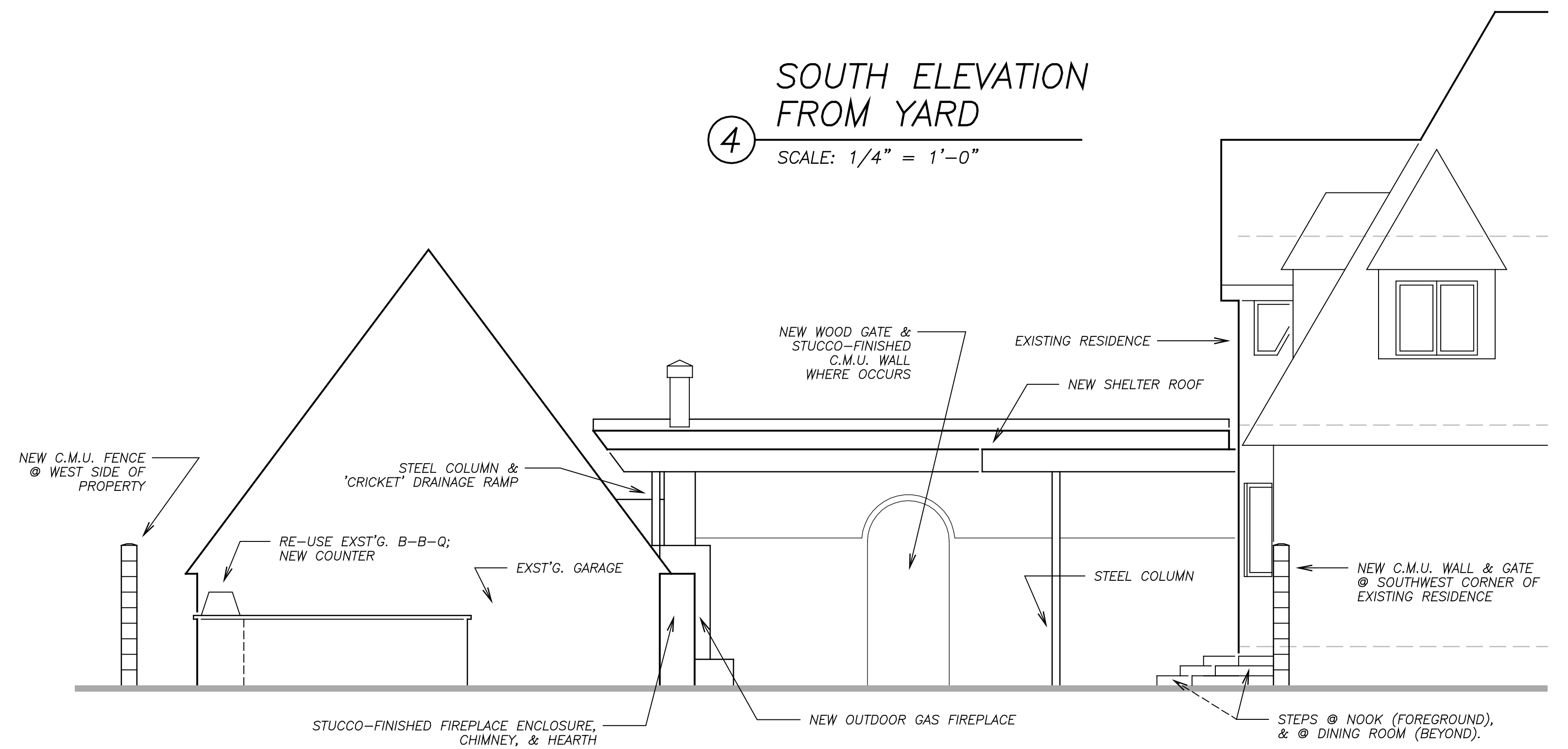
**2** SOUTH-NORTH SECTION THRU ROOF & ELEVATION

SCALE: 1/4" = 1'-0"



**3** NORTH ELEVATION FROM STREET

SCALE: 1/4" = 1'-0"



**4** SOUTH ELEVATION FROM YARD

SCALE: 1/4" = 1'-0"