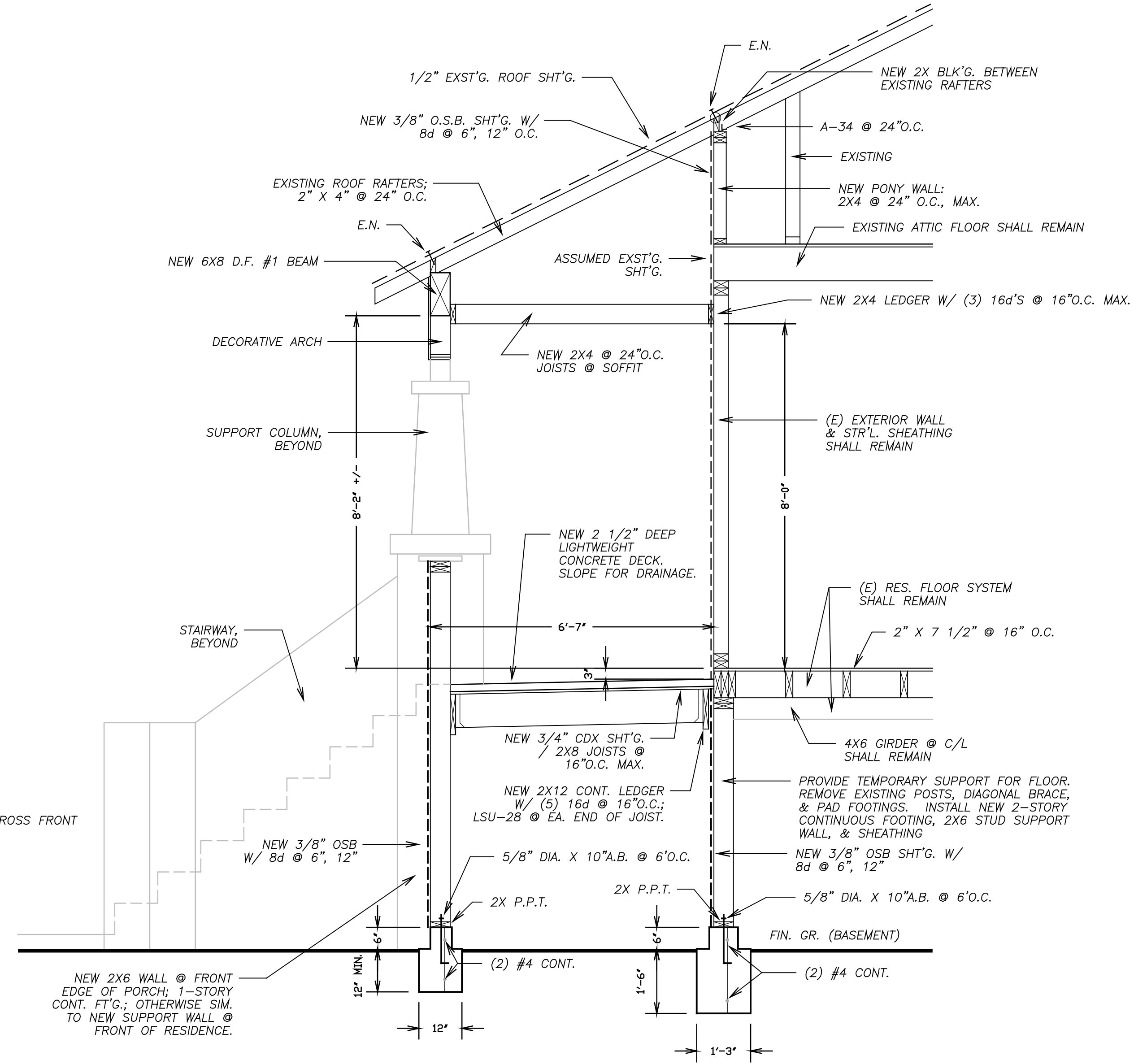
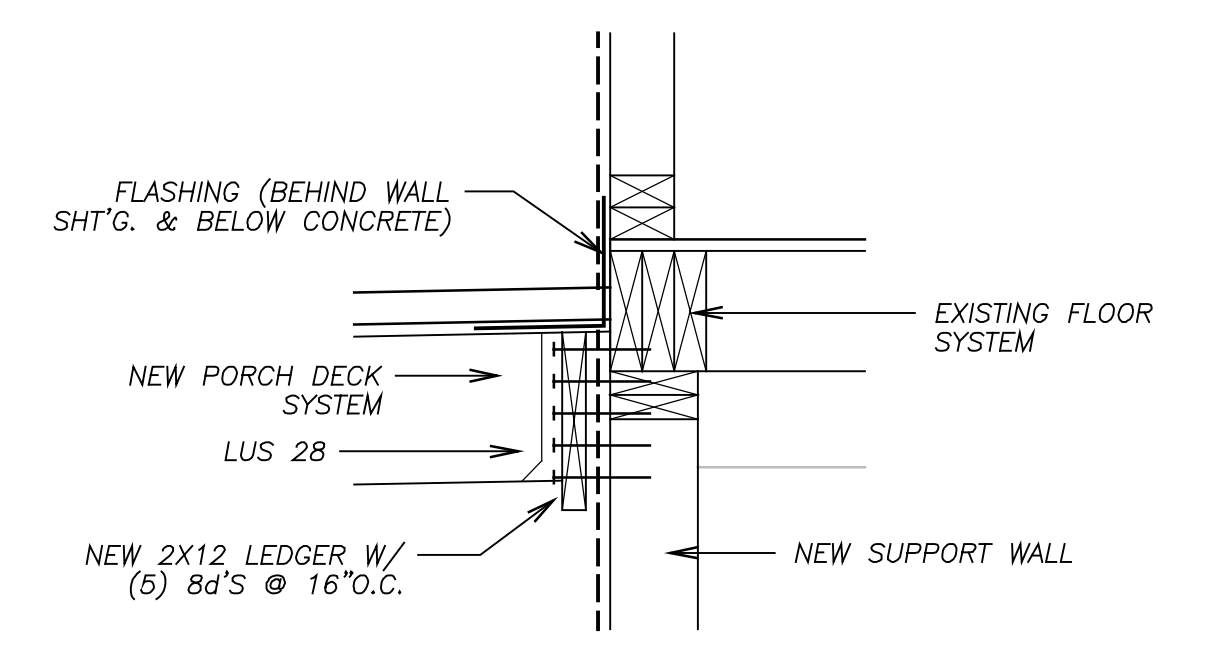


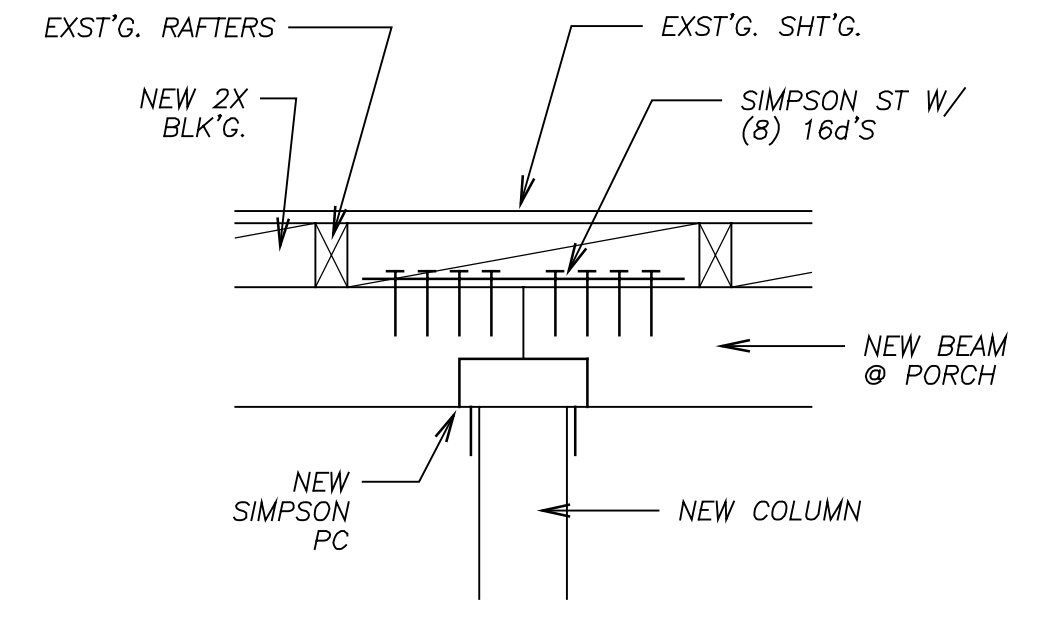
**1** SEC. @ STAIRS  
SCALE: 1/2" = 1'-0"



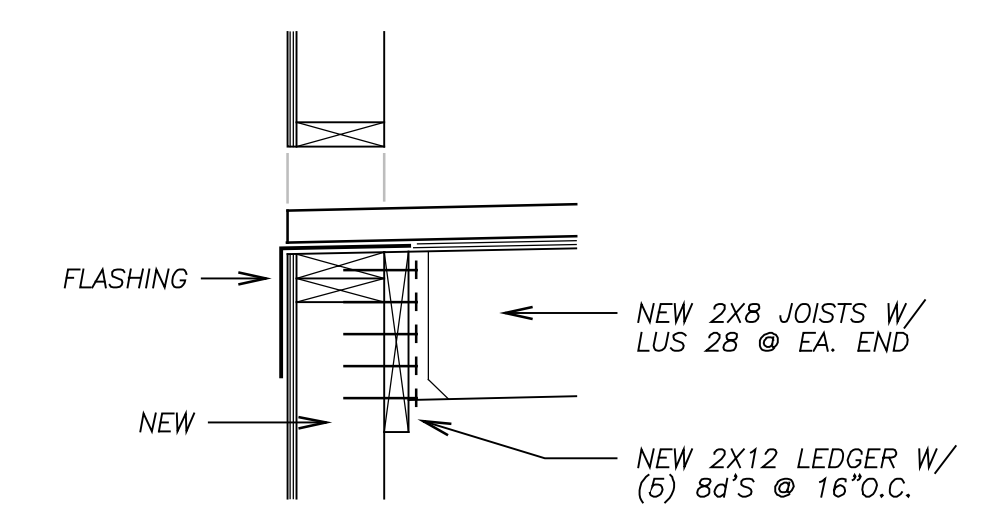
**2** SEC. @ PONYWALL  
SCALE: 1/2" = 1'-0"



**A** FLASHING @ CONCRETE / LEDGER  
SCALE: 1" = 1'-0"



**C** BEAM SPLICE  
SCALE: 1" = 1'-0"



**B** FLASHING @ DRAINAGE OPENING  
SCALE: 1" = 1'-0"

drawn by: BRUCE W. O'BRIEN  
phone: (916) 962-3128  
co. lic. #: 284117

**SLOANE REPAIR/ADDITION**  
2500 'Oh' St., Sacramento, CA 95816

REVISION DATE:  
3/11/02  
FILE NUMBER:  
01-66

SHEET NUMBER:  
**S-2**  
OF: 4